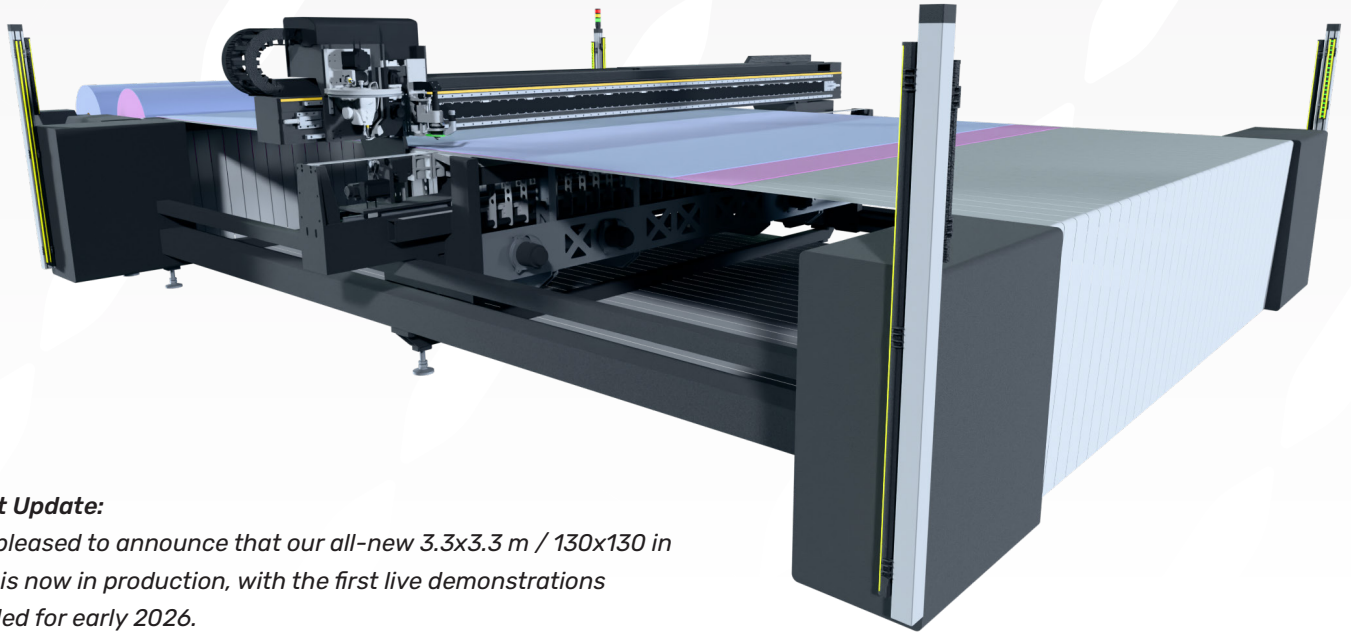


NEW

FASTSEWN 33-33 SEG

Preview of the FASTSEWN SEG sewing & cutting system



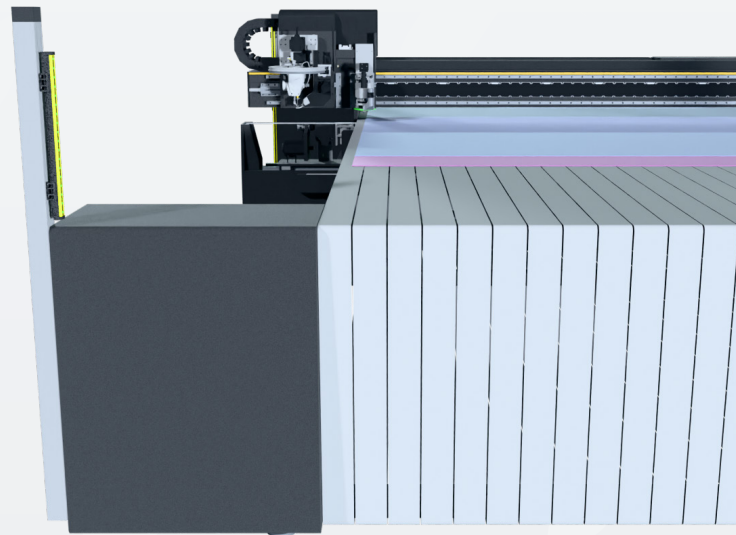
Product Update:

We are pleased to announce that our all-new 3.3x3.3 m / 130x130 in system is now in production, with the first live demonstrations scheduled for early 2026.

HIGHLIGHTS

Updates to the system shown at Printing United & ATA:

- Larger machine sizes
- New keder dispenser for various keder dimensions
- Dual vision registration system
- Servo-controlled sewing head with digital thread tensioning and presser foot
- Fast & Dynamic Linear Motors
- Powerful 150W CO2 laser with flying optics
- Integrated vacuum hold down system
- Modular tooling system for different applications
- Intelligent workflow from digital printing systems
- Adaptive safety system with CE
 - Optional Caron roll-off units
 - Model York for shorter rolls, Vegas for longer rolls



AMERICAS

JIM.MANELSKI@FASTSEWN.COM
+1 512 888 3607

STEVE.ARANOFF@FASTSEWN.COM
+1 928 300 8757

EMEA

JENS-HENRIK.OSMUNDSEN@FASTSEWN.COM
+32 478 33 47 45

GENERAL INQUIRIES

INFO@FASTSEWN.COM | +45 50590554

STAY UPDATED:

WWW.FASTSEWN.COM



MIKKELSEN INNOVATION APS